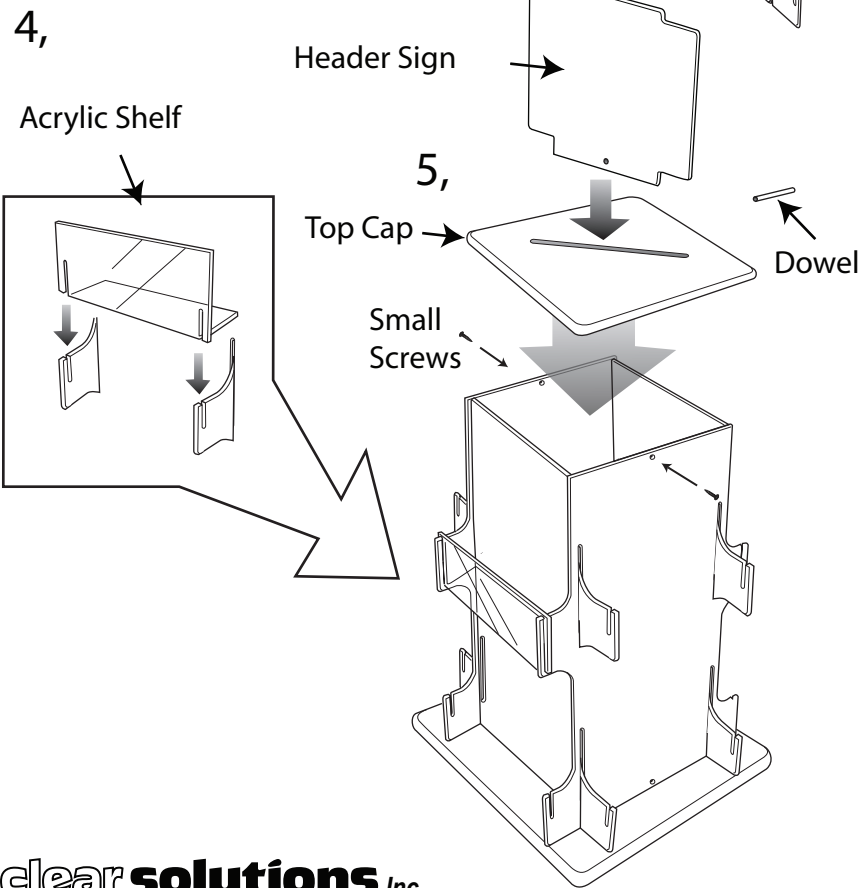
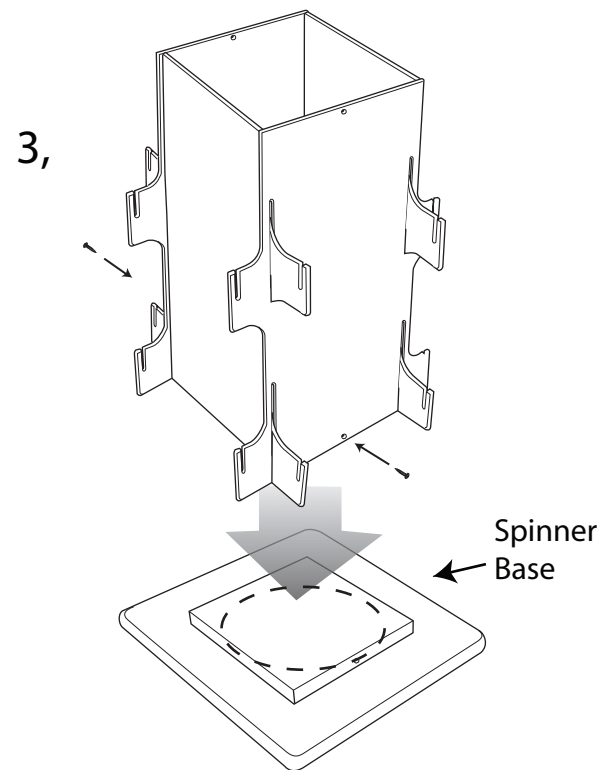
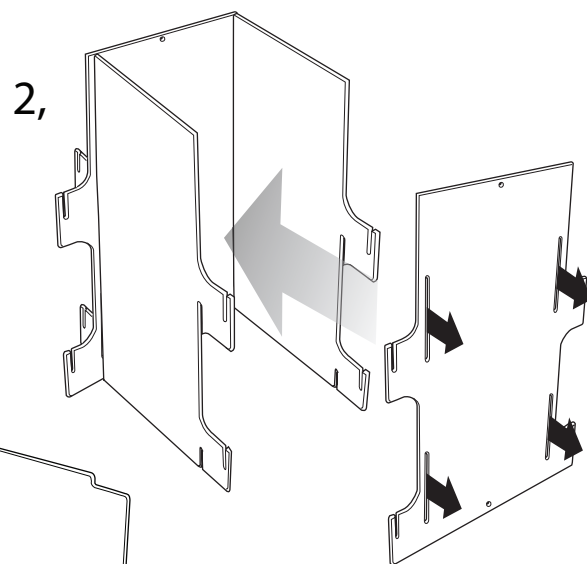
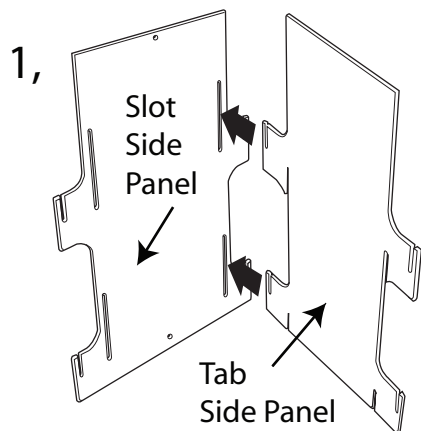


Quotable Notes Display Assembly Instructions



Unpack and locate all parts:

2 Tab Sides, 2 Slot Sides, Spinner Base, Top Cap, 8 Acrylic Shelves, Header sign, Dowel, and 4 Screws.

1, Locate the 4 **Side Panels** and align the tabs and slots as shown. Slide the tabs of one side panel into the long slots in the adjacent panels. Apply pressure and slide the tabs down to lock the side assembly together.

2, Repeat with all 4 sides to make the 4 walls of the tower and place the assembly on the **Spinner Base**.

3, Use 2 **Small Screws** to attach the panel assembly to the spinner base .

4, Slide the **Acrylic Shelves** into the slots to form the note pockets.

5, Press the **Header Sign** into the slot in the top cap using the **Wooden Dowel** to lock it in place and attach the **Top Cap** with the remaining **Screws**.